

Thank you for your interest in Dodmoor House. We look forward to helping you on your wedding day and are always on hand to provide advice and answer your questions.

We offer lots of flexibility in the choice of your suppliers and the following free extras:

- ♥ No daytime corkage fee and a variety of drinks packages at great value for money
- ♥ Overnight stay in our luxurious honeymoon suite with continental breakfast
- ♥ Support and advice before your wedding and event management on the day
- ♥ Chairs, tables and all glassware, with bar drinks at pub prices
- ♥ The Dodford Room has a toy box, TV & cushions for children and garden games
- ♥ Open evenings to show friends and family round, ask questions and meet suppliers
- ♥ Fairy lights, candles, t-light holders and candelabras add extra decoration
- ♥ Tableplan easel, umbrellas, cake stands, cake knife and table number stands

2019	Thu	Fri	Sat	2020	Thu	Fri	Sat
January	£2,500	£3,100	£3,750	January	£2,500	£3,100	£3,950
February	£2,950	£3,500	£4,100	February	£2,950	£3,600	£4,250
March	£3,350	£3,950	£5,100	March	£3,350	£4,100	£5,250
April	£3,950	£4,750	£5,950	April	£3,950	£4,950	£6,100
May	£4,350	£5,350	£6,750	May	£4,350	£5,500	£6,950
June	£4,500	£5,500	£6,950	June	£4,500	£5,750	£7,250
July	£4,500	£5,500	£6,950	July	£4,500	£5,750	£7,250
August	£4,500	£5,500	£6,950	August	£4,500	£5,750	£7,250
September	£4,350	£5,350	£6,750	September	£4,350	£5,500	£6,950
October	£3,950	£4,750	£5,950	October	£3,950	£4,950	£6,100
November	£3,350	£3,950	£5,100	November	£3,350	£4,100	£5,250
December	£3,750	£4,100	£5,250	December	£3,750	£4,250	£5,500

Please note a £50 kitchen hire fee is payable if outside caterers are used

We are closed on Sundays & Bank Holidays, and Christmas/New Year

*If the British Grand Prix takes place at Silverstone on the weekend of your wedding, we will take £400 off your balance (to help pay for any extra transport for your guests)*



## Weddings

We will do our utmost to ensure you have the perfect wedding day. Just imagine how your own day could take shape:

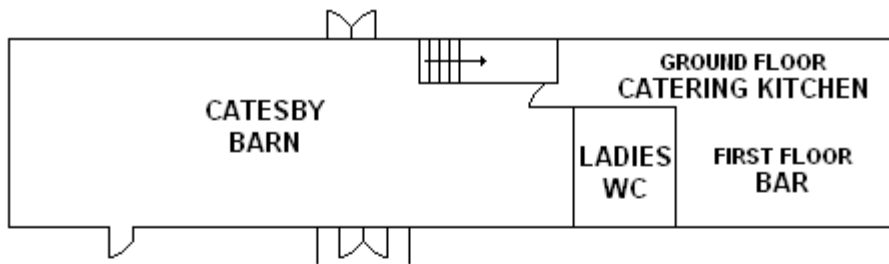
**Courtyard Barn**—a romantic, intimate setting for civil ceremonies with five patio doors opening onto the courtyard. Ideal for evening buffets or wet weather drinks.

**Courtyard**— the stunning courtyard is the central feature of the venue and perfect for drinks receptions, barbeques & hog roasts.

**Catesby Barn**— the oak-floored, double-height Grade II listed barn can seat up to 90 guests for a wedding breakfast and is an ideal party venue for up to 180.

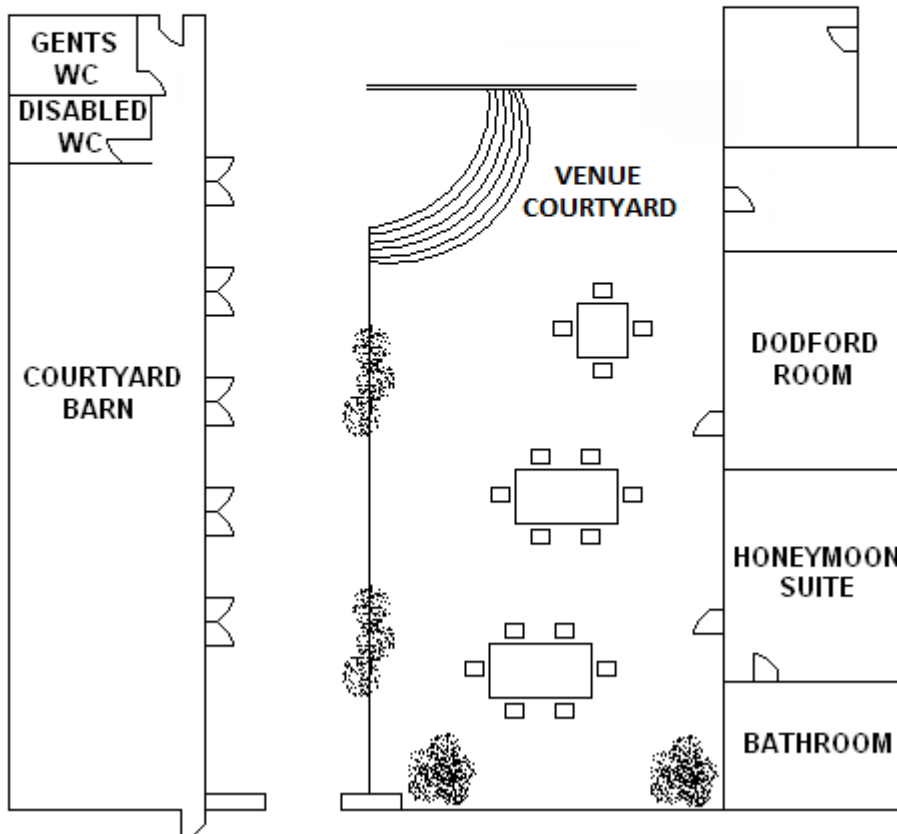
**Mezzanine Bar**— the stylish bar is a quieter seating area, joined to the Catesby Barn at first-floor level, with drinks at pub prices.

**Honeymoon Suite**—your luxurious suite, with a sitting area, dressing table, power shower & double-ended bath.



*It only took one visit to convince us that there was no point in viewing any other venues. All the support and assistance you gave in the organising was so appreciated and helped us to relax in the comfort that nothing had been overlooked.*

**Stephanie & Stephen**



*All of the guests commented on the professional but personal touch all of the staff at Dodmoor gave. We had the most wonderful day and we wish we could do it all over again.*

**Emma & Simon**

## Daytime drinks

Offers a big variety of exciting daytime drinks choices for you and your guests. This reduces the stress, hassle and leftovers for you – but still controls the overall cost of your drinks.

**Drinks reception drinks:** one sparkling, one cocktail, one beer, one soft drink

**Meal drinks:** one red, one white, one rose wine, continue with cocktails, beers & soft drinks

**Speeches drink:** one sparkling option (one glass per adult and a soft option for children)

Each drink has an individual price (per bottle/jug) we keep count of how many of these are served to your guests. We then calculate the overall cost of drinks served during the drinks reception, meal and speeches.

However there is a guaranteed maximum price per person, depending on the package you choose. 16/17-year-olds are half-price, 5-15 year olds are £3 per child and children under 5 years old are free!

If the overall total price of drinks is less than the guaranteed maximum, then you pay the lower amount.

If the price is greater than the maximum, you only pay the guaranteed maximum (we cover the difference).

We won't stop serving drinks or restrict the amount, as this offer is designed for those who want a maximum cost to help control budgets whilst indulging their guests with drinks and offering lots of choice!

Free tasting sessions take place regularly at our open evenings or buy some bottles to taste at home.

Prices are for 2018 and apply from the start of the drinks reception until the end of the meal or speeches (prices may increase for 2019 and beyond).

**Please see our full wine / drinks list on our website**  
<http://www.dodmoorhouse.co.uk/eat-drink-and-be-married>

*The drinks package for us was an absolute bargain, and the evening party was as faultless as the day. It was superb value for money – a totally committed and professional team looked after us.*  
**Alison and Tom**

# Eat **DRINK** and be MARRIED

## Cotton

**Maximum cost of £13.00 per person**

This simplicity menu includes our popular House wines and enables you to entertain your guests throughout the drinks reception, meal and speeches at an excellent price.

**For the drinks reception:** Bucks Fizz, Fosters draught, Wedded Bliss or Hot Apple Cider

**For the meal:** Granfort Sauvignon Blanc and Granfort Merlot

**For the speeches:** A glass of Prosecco Viticoltori Ponte

## Lace

**Maximum cost of £14.50 per person – include drinks from both Cotton and Lace**

Our most popular package including a wide selection of drinks allowing for variety in your choices.

**For the drinks reception:** Prosecco Viticoltori Ponte, Ponte Aurora Rose, Gin-Ginger Twist, Catesby Crush, Coconuts About You, Pimm's No1, Winter Pimm's and bottled Budweiser

**For the meal:** Gulara Chardonnay, Pinot Grigio Veneto Ponte, Tempranillo, Caliterra Merlot, La Campagne Rose de Cinsault, Vendange White Zinfandel Rose

**For the speeches:** A glass of Prosecco Viticoltori Ponte or Ponte Aurora Rose

## Gold

**Maximum cost of £16.00 per person – include drinks from Cotton, Lace and Gold**

This enables you to have an extended choice from all of our drinks, includes the hire of our funky new jam jar-style glasses for cocktails and the use of our new fun 'Pimp your Prosecco' or 'Hot Chocolate' station.

**For the drinks reception:** Bottles of Peroni, Corona Extra or Kopparberg, Galanti Prosecco, Elderflower and Sapphire Sparkle, Irish Hot Chocolate

**For the meal:** Brancott Estate Marlborough Sauvignon Blanc, Seppelt Moyston Shiraz 2005

**For the speeches:** A glass of Aurora Prosecco Rose, Galanti Prosecco or Prosecco Viticoltori Ponte

## Diamond

**Maximum cost of £17.50 per person – include drinks from Cotton, Lace and Gold**

**For the drinks reception:** "Dodmopolitan Cocktail"- Smirnoff Vodka, Cointreau, Cranberry Juice & lime - Dodmoor's twist on a classic Cosmo, Mulled wine

Also included in our Diamond package is our brand new **GIN BAR**. A variety of 5 gins, Fever Tree & Schweppes tonic, Ginger Beer, sparkling elderflower & pink lemonade with fun accompaniments.

## **Dodmoor House Evening Hog Roast, Beef Roast or Burger Bar and Traditional Sweet Shop**

*From £695 for up to 100 guests*

We would like to offer you a tasty and cost-effective option for your evening catering at Dodmoor House – a fun burger bar or a classic hog roast/beef roast along with an old-fashioned sweet shop.

The burger bar is expertly grilled on a BBQ in the courtyard, and your guests can choose from turkey burgers, beef burgers, sausages and bacon. Guests can then add the following toppings to make their perfect burger; slices of tomato, cheese, onion, gherkins, lettuce leaves, tomato sauce, HP sauce, mayonnaise and guacamole.

We have negotiated a special rate with two local farmers for a classic hog or beef roast. The hog comes with stuffing, apple sauce and crackling, while the beef is served with horseradish. Both options include rolls and disposable napkins.

All the packages provide the expert carver/chef, while we provide all the staff, so there are no extra costs for you to worry about, with a vegetarian alternative of veggie sausages.

In the old-fashioned sweet shop cabinet, we will provide a selection of old favourites in glass jars with scoops and paper bags, to be served as dessert to add something different to your evening party.

<u>Prices (including VAT) are as follows for weddings:</u>	<u>2018</u>	<u>2019</u>
The Burger Bar for up to 100 guests (minimum charge) Extra evening guests (over 100) - £3.50 each	£695	£725
Hog roast and sweet shop for up to 100 guests (minimum charge) Extra evening guests (over 100) - £3.50 each	£875	£895
Beef roast and sweet shop for up to 100 guests (minimum charge) Extra evening guests (over 100) - £3.50 each	£875	£895

We would ask that you pay a £100 deposit to confirm the booking and the balance at our planning meeting six weeks before the wedding.

Any charge for extra evening guests (over 100 total) would be calculated on your latest numbers two weeks before the wedding and included on your final bill the morning after the wedding along with any drinks or bar tab. Children under 5 are free.

Any of these options can be served in the winter, as well as the summer. If it is raining, the meat would be under a gazebo on the top level of the courtyard and served on buffet tables inside the Courtyard Barn.

For further details, please call 01327 341736 or email [weddings@dodmoorhouse.co.uk](mailto:weddings@dodmoorhouse.co.uk)

## **Our Recommended Suppliers**

### **Recommended Caterers**

Lemon Zest - 01280 705228 - [www.lemon-zest.co.uk](http://www.lemon-zest.co.uk)  
Portfolio Events – 01604 686726 – [www.portfolioevents.com](http://www.portfolioevents.com)

### **Informal Caterers**

Delicious Catering - 01604 580413 - [www.deliciouscatering.co.uk](http://www.deliciouscatering.co.uk)  
Ian Brodie Catering – 07802 188338/ 07745 750778 – [www.pigroast.co.uk](http://www.pigroast.co.uk)  
GJ Catering - 01604 751240 - [www.gjcatering.co.uk](http://www.gjcatering.co.uk)  
Buswell Catering – 07864 790729 - [www.buswellcatering.co.uk](http://www.buswellcatering.co.uk)  
Cornwells Catering - 01604 416302 - [www.cornwells-catering.co.uk](http://www.cornwells-catering.co.uk)  
*(Please note a £50 kitchen hire charge is applicable)*

### **Photographers**

Tim Hill - 01604 479453 - [www.timhillphotography.co.uk](http://www.timhillphotography.co.uk)  
Emma Brooks - 01908 330940 - [www.emmabrooksphotography.co.uk](http://www.emmabrooksphotography.co.uk)  
Richard Shephard - [www.richardshephard.co.uk](http://www.richardshephard.co.uk)  
David Hughes - [www.davidhughesphotography.co.uk](http://www.davidhughesphotography.co.uk)  
Chris Cook Wedding Photography - [www.ccweddingphotography.co.uk](http://www.ccweddingphotography.co.uk)  
Aaron Collett - [www.aaroncollettphotography.co.uk](http://www.aaroncollettphotography.co.uk)  
One2one Photography - [www.one2onephotography.co.uk](http://www.one2onephotography.co.uk)

### **Florists**

Julie-Anna Flowers - 07974739232 - [www.julieannaflowers.co.uk](http://www.julieannaflowers.co.uk)  
Green Room - 01604 670700 - [www.green-room.biz](http://www.green-room.biz)  
Orange Blossom - 01327 314444 - [www.orangeblossomflorists.co.uk](http://www.orangeblossomflorists.co.uk)

### **Cake**

Hockleys, Northampton - 01604 881551 - [www.hockleyscakes.co.uk](http://www.hockleyscakes.co.uk)  
Funky Cake Company, Northampton - 07756 549253 - [www.thefunkycakeco.co.uk](http://www.thefunkycakeco.co.uk)  
Gardners Bakery, Northampton - 01604 715196 - [www.gardnersbakery.co.uk](http://www.gardnersbakery.co.uk)  
Melody Cakes - 01858 461655 - [www.melodycakes.webeden.co.uk](http://www.melodycakes.webeden.co.uk)

### **Light up letters**

Beau Bright Event Design - 07919 598205 – [www.beaubright.co.uk](http://www.beaubright.co.uk)

### **Stationery**

Jennifer Hughes - 07980 003845 – [www.thepatternboutique.co.uk](http://www.thepatternboutique.co.uk)

### **Chocolate wedding favours**

Helene Handmade Chocolates - 07794 525479

### **Beauty**

Hair by Tina B - 01327 877182  
Orlenka's Beauty - - 01327 315253 - [www.orlenkasbeauty.co.uk](http://www.orlenkasbeauty.co.uk)  
Charlotte Chartell Hair and Make Up – 07929988772 - [www.charlottec.co.uk](http://www.charlottec.co.uk)  
Kaye Salmon Make up - 07950805007 - [www.kayesalmonmake-up.com](http://www.kayesalmonmake-up.com)

### **Hotels**

Holiday Inn hotel, Northampton West (Flore) - three miles away - 01327 349022  
Mercure Daventry Court Hotel and Spa (Daventry) - six miles away - 01327 307000

### **Registrar**

Both the Courtyard Barn and Catesby Barn are licensed for civil ceremonies and we find that any time between 1pm and 3pm works especially well for a civil ceremony.

Please reserve or book a time with the registrars, who can be contacted on 0300 126 1000 or via their online availability - please see the link on our website – [www.dodmoorhouse.co.uk/registrar-information](http://www.dodmoorhouse.co.uk/registrar-information)

*Thank you to our recommended photographers who have kindly provided photos for our brochure.*

### **Wedding Awards**

Dodmoor House was recently named as a national finalist in the Guides for Brides customer service awards as a result of votes and testimonials from the lovely couples married here in 2014. We won the national 'best venue' category in the Wedding Industry Awards 2013, and were named as the 'best wedding venue' in the East Midlands for two consecutive years.

We are also the national winners of 'best countryside venue' in the Wedding Industry Awards 2016.

Please see much more about the venue, including our blog and 'real-life weddings' features, at [www.dodmoorhouse.co.uk](http://www.dodmoorhouse.co.uk) and we'd love you to follow us on Facebook!

### **Booking Dodmoor House**

If you would like to book a date please just let us know and we will arrange for booking forms to be sent out. We are also happy to hold a date for two weeks while you make a final decision. If you decide to go ahead we require a 50% deposit with the final 50% balance payment due eight weeks before the wedding date.

### **Church Services**

We recommend booking a church service for around 1pm, so guests would arrive here at around 2.30pm for a drinks reception. Please contact us for details of local churches.

### **Transport and Accommodation**

The only on-site accommodation is the honeymoon suite and we therefore have excellent links with two local hotels which offer bed, breakfast and transport back to the hotels at the end of the night for your wedding guests at a fixed rate. Both hotels have a late bar which remains open for guests after the wedding. Please contact either of the two hotels to pre-book an allocation of rooms.

**Holiday Inn, Northampton West (Flore).** Ph: 01327 349022.

Web: <http://www.hinorthamptonwest.co.uk/>

This 3\* hotel is only three miles from Dodmoor House and offers a reduced rate for guests of £79.50 from January-October 2018. From November 2018-March 2019 the reduced rate for guests will be £77.50 and from April-October 2019 it is £81.50 (including breakfast & VAT at 20%). Free taxis back to the Holiday Inn at the end of the evening are included with block bookings of at least five rooms (a minibus shuttle service is offered if at least 15 rooms are booked).

**Mercure Daventry Court Hotel and Spa, Daventry (formerly the Barceló Hotel)**

Ph: 01327 307000.

Web: <http://www.mercure.com/gb/hotel-A010-mercure-daventry-court-hotel-and-spa/index.shtml>

This 4\* hotel is six miles from Dodmoor House and offers a reduced rate for guests of £92.00 in 2018 and 2019 (including breakfast & VAT at 20%). Free taxis back at the end of the evening are offered with block bookings of at least five rooms.

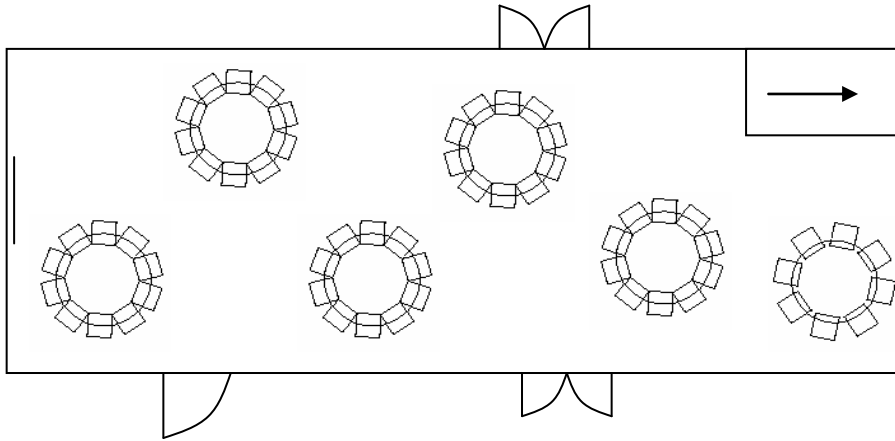
Full details of all local accommodation options can be found on our website: [www.dodmoorhouse.co.uk/accommodation](http://www.dodmoorhouse.co.uk/accommodation)

### **Fireworks / Wish Lanterns**

Due to the rural position of Dodmoor House, with horses, sheep and crops in nearby fields, we have reassured local farmers and neighbours that we will not hold any firework displays or let off any wish lanterns.

Thank you very much for your understanding in our desire to safeguard animal welfare, protect crops from possible fire and maintain good relations with our neighbours.

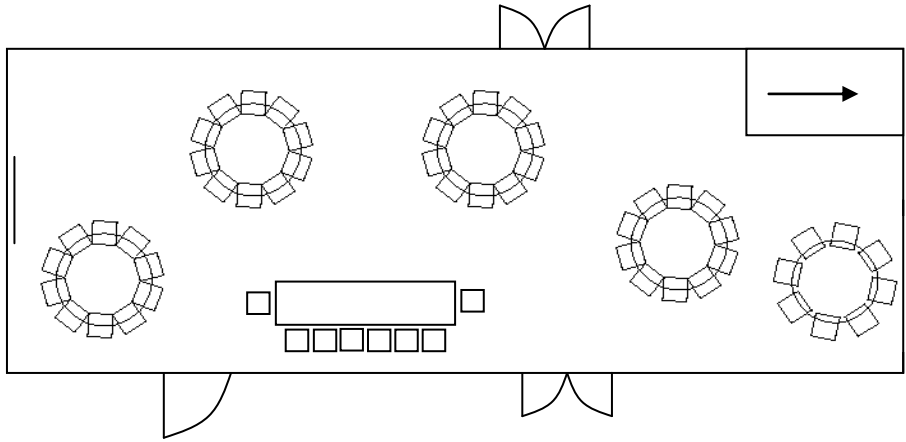
**Table layouts for the Catesby Barn**



58

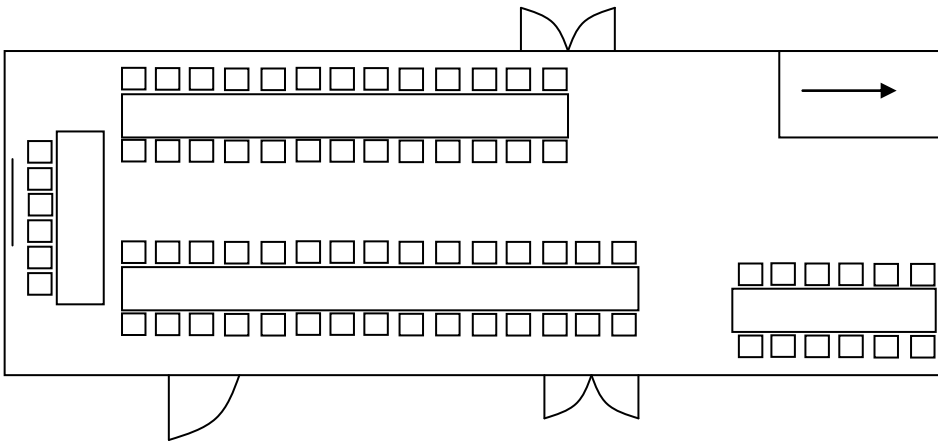
5 round tables of 10 guests  
1 round table of 8 guests  
  
**Up to 74 guests using the mezzanine**

56



4 round tables of 10 guests  
1 round table of 8 guests  
Long top table of 8 guests  
  
**Up to 72 guests using the mezzanine**

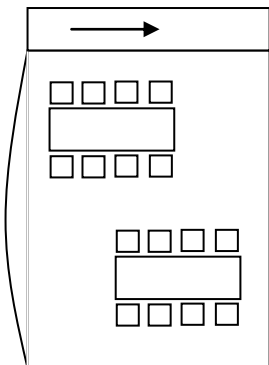
74



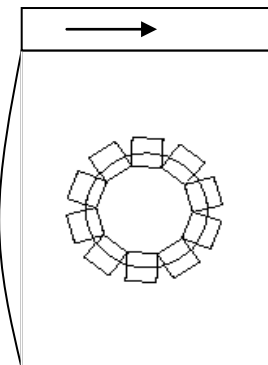
Long top table of 6 guests  
68 guests on 3 banquet tables  
  
**Up to 90 guests using the mezzanine**

**Table layouts for the Mezzanine**

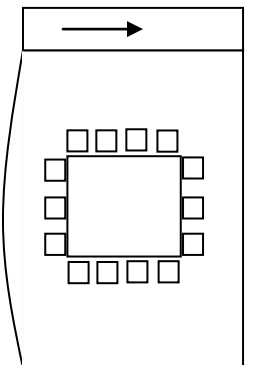
16



10



14





We are always pleased to assist you in the arrangement of the entertainment for your wedding and have put together a recommended list of suppliers that work regularly at Dodmoor House.

**Please see the section overleaf if you are considering any band, singer or DJ that does not appear on our recommended list as they must agree in writing in advance to abide by our terms and conditions relating to noise levels.**

### **Daytime Musical Entertainment**

Ariella Strings – String Duo, Trio or Quartet available – [www.ariellastrings.co.uk](http://www.ariellastrings.co.uk)  
Alison Eve – The classic and contemporary harp – [www.alisoneve.co.uk](http://www.alisoneve.co.uk)  
George Simpson – Acoustic guitarist/singer – [www.georgesimpson.net](http://www.georgesimpson.net)  
Mango Acoustic – Male and female vocals, with acoustic guitar – [www.mangoacoustic.co.uk](http://www.mangoacoustic.co.uk)  
Ben Weston – Acoustic guitarist - songs from the 60s to modern day [www.benwestonmusic.com](http://www.benwestonmusic.com)  
Paul Martyn – Singer & saxophonist (see evening section as well) – [www.paulmartyn.co.uk](http://www.paulmartyn.co.uk)

### **Evening Musical Entertainment**

Dodmoor House DJ – [www.dodmoorhouse.co.uk/evening-music](http://www.dodmoorhouse.co.uk/evening-music)  
Potter Group – Full time professional DJs with ‘mood lighting’ – [www.pottergroupevents.co.uk](http://www.pottergroupevents.co.uk)  
Paul Martyn – Singer, saxophonist and DJ – [www.paulmartyn.co.uk](http://www.paulmartyn.co.uk)  
Andy Powell – singer and DJ – [www.andypowellentertainer.co.uk](http://www.andypowellentertainer.co.uk)  
Govannen Ceilidh band - 0845 8387884 or email [enquiries@dgmusic.co.uk](mailto:enquiries@dgmusic.co.uk)

### **Other Types of Entertainment**

Prestige Fun Casino – Blackjack, Roulette, Poker and Craps – [www.prestigefuncasino.co.uk](http://www.prestigefuncasino.co.uk)  
Chris Webb – Magician for adults and children – [www.chriswebbmusic.co.uk](http://www.chriswebbmusic.co.uk)  
Indulgence – Chocolate fountain with a variety of dips – [www.indulgencechocfountain.co.uk](http://www.indulgencechocfountain.co.uk)  
Sunburst Events – Fun photo-booths – [www.sunburstevents.com](http://www.sunburstevents.com)  
Directors Cut Photo-Booths - <http://www.directorscutphotobooth.co.uk/>

### **Bands**

Please read the ‘important entertainment information’ guide overleaf if you are thinking of booking a band for your wedding day.

A recommended list of bands appears on a separate page and can also be seen on our website:

**[www.dodmoorhouse.co.uk/entertainment](http://www.dodmoorhouse.co.uk/entertainment)**

## **Important Entertainment Information**

You are welcome to book any of the bands, DJs or singers on our recommended list, who can all work well at the venue. We would just ask that all singers/bands finish their final live set by 11pm (but they can then play a DJ set until the close).

If you wish to **book any other band, DJ or singer**, please make sure in advance that they can comply with the following requirements of our entertainment licence:

:: We have a noise limiter system set at a maximum of **94 decibels**

:: This is normally fine for all DJs, solo singers or ceilidh/jazz bands

:: Other bands may struggle to play within this limit, especially with 5+ members

:: We therefore require them to have an electronic drum kit (or no drum kit at all)

**Please note that our entertainment licence does not allow any band to play at Dodmoor House unless they are able to comply with these requirements.**

We are always happy to discuss your ideas or to talk directly to your band, singer or DJ in advance before you book them – please just call us on 01327 341736.

\*\*

Bands tend to play two one-hour sets during the evening and we ask that they finish their final set by 11pm, with disco music playing until the end of the night (with the doors of the Catesby Barn closed after 11pm).

\*\*

Please note there are many performers, singers, DJs and bands who appear here regularly so please contact us on 01327 341736 or via 'weddings@dodmoorhouse.co.uk' for more recommendations.

\*\*

We have compiled a recommended list of bands who can all comply with our noise limits – please see the separate sheet and view the full list on our website:

[www.dodmoorhouse.co.uk/entertainment](http://www.dodmoorhouse.co.uk/entertainment)

## Suggested timings for your wedding day

### 12.30pm Ceremony

9am	Access for suppliers
Midday	Bride arrival to House
12.30pm	Civil ceremony
1.00pm	Drinks reception & photos
2.45pm	Wedding breakfast
4.30pm	Speeches and toasts
5.00pm	Tea and coffee buffet
6.00pm	Arrival of evening guests
7.30pm	Cake cutting
7.40pm	First dance
8.00pm	Evening buffet
11.30pm	Bar / music end
Midnight	Guests depart by this time

### 2.00pm Ceremony

9am	Access for suppliers
Midday	Bride arrival to Bridal Suite
2.00pm	Civil ceremony
2.30pm	Drinks reception & photos
4.15pm	Wedding breakfast
6.00pm	Speeches and toasts
6.30pm	Tea and coffee buffet
7.00pm	Arrival of evening guests
8.00pm	Cake cutting
8.10pm	First dance
8.30pm	Evening buffet
11.30pm	Bar / music end
Midnight	Guests depart by this time

### 3.00pm Ceremony

9am	Access for suppliers
Midday	Bride arrival to Bridal Suite
3.00pm	Civil ceremony
3.30pm	Drinks reception & photos
5.00pm	Wedding breakfast
6.45pm	Speeches and toasts
7.15pm	Tea and coffee buffet
7.30pm	Arrival of evening guests
8.30pm	Cake cutting
8.40pm	First dance
9.00pm	Evening buffet
12.00am	Bar / music end
12.30am	Guests depart by this time

### Church Service

9am	Access for suppliers
1.00pm	Church Service
2.30pm	Arrival to Dodmoor House
	Drinks reception & photos
4.15pm	Wedding breakfast
6.00pm	Speeches and toasts
6.30pm	Tea and coffee buffet
7.00pm	Arrival of evening guests
8.00pm	Cake cutting
8.10pm	First dance
8.30pm	Evening buffet
11.30pm	Bar / music end
Midnight	Guests depart by this time

We are flexible on timings and they are very much down to you & the style of your day. The date can also affect timings so please contact us for something tailored to your specific day.

The registrars' phone number is 0300 126 1000 or their online availability form is at:

<http://www3.northamptonshire.gov.uk/councilservices/births-deaths-ceremonies/weddings-and-ceremonies/weddings/Pages/default.aspx>

Once on this page, click on plan your wedding!